



APPROVED

SIGHT GLASS FUSED TO METAL CONFORMING TO DIN 7079

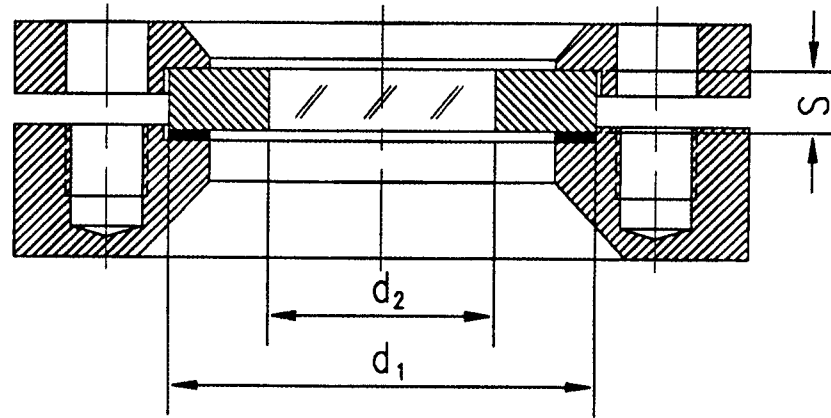
GLASS: BOROSILICATE (DIN 7080)

PRESSURE/TEMPERATURE CHARTS FOR EACH DISC SIZE IS AVAILABLE UPON REQUEST

NOTE: FM must authorize all changes to drawings

DWG NO. 173

SHEET NO. 1



d ₁	d ₂	RECOMMENDED THICKNESS			
		150 psi	250 psi	350 psi	600 psi
S					
INCH (MM)	INCH (MM)	INCH (MM)	INCH (MM)	INCH (MM)	INCH (MM)
1.77 (45)	0.98 (25)	0.39 (10)	0.47 (12)		
2.36 (60)	1.38 (35)	0.39 (10)	0.47 (12)	0.59 (15)	
2.48 (63)	1.38 (35)	0.39 (10)	0.47 (12)	0.59 (15)	
3.15 (80)	1.77 (45)	0.39 (10)	0.47 (12)	0.59 (15)	0.79 (20)
3.94 (100)	2.17 (55)	0.47 (12)	0.59 (15)	0.79 (20)	0.98 (25)
4.92 (125)	2.56 (65)	0.59 (15)	0.79 (20)	0.98 (25)	1.06 (27)
5.91 (150)	2.76 (70)	0.79 (20)	0.98 (25)	1.18 (30)	
6.89 (175)	3.15 (80)	0.79 (20)	0.98 (25)	1.18 (30)	1.26 (32)
7.87 (200)	3.94 (100)	0.98 (25)	1.18 (30)	1.26 (32)	
9.84 (250)	4.72 (120)	1.18 (30)	1.26 (32)	1.50 (38)	

RING MATERIAL	MAX. WORKING TEMPERATURE
Carbon Steel (1.0570)	536°F (280°C)
Duplex Stainless Steel (1.4462)	536°F (280°C)
Hastelloy C-4 (2.4610)	536°F (280°C)

CHANGE	DESCRIPTION OF CHANGE	DATE	NAME

MANUFACTURED BY:
Herberts Industrieglas
 GmbH & Co. KG
 GEWERBESCHULSTRASSE 72
 D-42289 WUPPERTAL GERMANY

METAGLAS®
 SIGHT GLASS DISC
 FOR LUMIGLAS® SERIES DIN 28120
 OR SIMILAR

DESIGNED	DATE	NAME
	Feb. 1996	Schullev
CHECKED		

L. J. STAR INCORPORATED
 P. O. BOX 280
 FREDONIA, N. Y. 14063
 TELEPHONE 716-366-0508
 FAX 716-366-0509