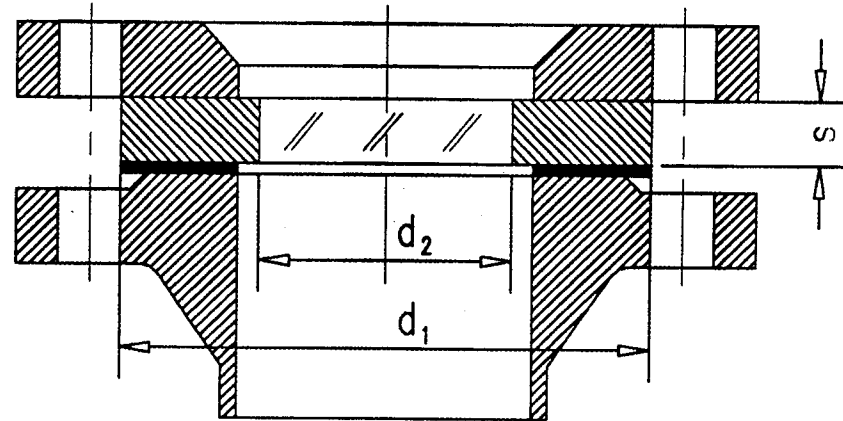




DWG NO. 176
SHEET NO. 1



SIGHT GLASS FUSED TO METAL CONFORMING TO DIN 7079

GLASS: BOROSILICATE (DIN 7080)

PRESSURE/TEMPERATURE CHARTS FOR EACH DISC SIZE IS AVAILABLE UPON REQUEST

NOTE: FM must authorize all changes to drawings

ANSI NOMINAL SIZE	RECOMMENDED ANSI PRESSURE CLASS DISC SIZE								
	150 PSI			300 PSI			600 PSI		
	d ₁	d ₂	S	d ₁	d ₂	S	d ₁	d ₂	S
1"	2.48 (63)	1.38 (35)	0.39 (10)	2.76 (70)	1.57 (40)	0.47 (12)	2.76 (70)	1.57 (40)	0.71 (18)
1 1/2"	3.23 (82)	1.77 (45)	0.47 (12)	3.62 (92)	1.97 (50)	0.59 (15)	3.62 (92)	1.97 (50)	0.87 (22)
2"	3.94 (100)	2.17 (55)	0.59 (15)	4.21 (107)	1.97 (50)	0.79 (20)	4.21 (107)	1.97 (50)	0.79 (20)
3"	5.28 (134)	2.76 (70)	0.59 (15)	5.71 (145)	2.76 (70)	0.79 (20)	5.71 (145)	2.76 (70)	1.10 (28)
4"	6.73 (171)	3.15 (80)	0.79 (20)	6.73 (171)	3.15 (80)	0.98 (25)	7.48 (190)	3.15 (80)	1.26 (32)
5"	7.56 (192)	3.94 (100)	0.79 (20)						
6"	8.58 (218)	3.94 (100)	0.98 (25)	9.61 (244)	4.72 (120)	1.38 (35)	10.35 (263)	3.94 (100)	1.57 (40)
8"	10.75 (273)	4.72 (120)	1.18 (30)	12.01 (305)	4.92 (125)	1.38 (35)	12.40 (315)	3.94 (100)	1.57 (40)
10"	13.23 (336)	5.91 (150)	1.18 (30)	14.09 (358)	5.12 (130)	1.38 (35)			

RING MATERIAL	MAXIMUM WORKING TEMP.
Carbon Steel (1.0570)	536°F (280°C)
Duplex Stainless Steel (1.4462)	536°F (280°C)
Hastelloy C-4 (2.4610)	536°F (280°C)

CHANGE	DESCRIPTION OF CHANGE	DATE	NAME

MANUFACTURED BY:
Herberts Industrieglas
GmbH & Co. KG
GEWERBESCHULSTRASSE 72
D-42289 WUPPERTAL GERMANY

METAGLAS®
SIGHT GLASS DISC
FOR ANSI BOLT-ON
RAISED FACED FLANGES

DESIGNED	Feb. 1996	NAME	
CHECKED			

L. J. STAR INCORPORATED
P. O. BOX 280
FREDONIA, N. Y. 14063
TELEPHONE 716-366-0508
FAX 716-366-0509