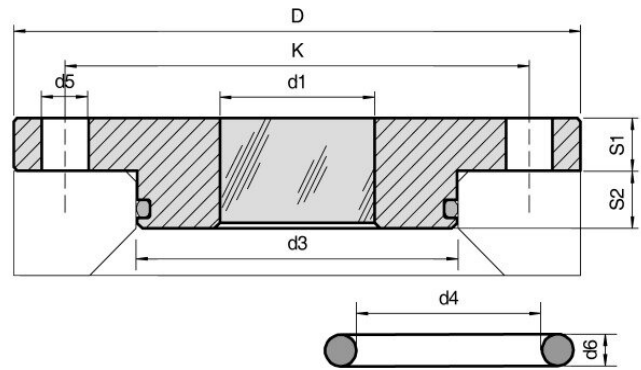


METAGLAS® Sight Glass Discs for Sterile Applications



Applications

- Weld in base flanges similar to DIN 28117

Material certificates

- Certificate of Conformity to EN 10204-3.1 or 3.2

Operating conditions

- Pressure: -1 to 16 bar
- Temperature: see table

Ring materials	Operating temperature
1.4462	-30°C to +280°C
2.4602	-60°C to +300°C
2.4605	-60°C to +300°C
2.4610	-60°C to +300°C

Technical data

Manufactured and tested to:

- Directive for pressure equipment 2014/68/EU, Module H (DIN/EN/ISO 9001)
- AD2000 Standards W0/TRD 100
- Sight glass fused to metal conforming to DIN 7079
- Materials to VdTÜV specifications and the DIN/EN designated standards
- Glass: Borosilicate to DIN 7080 / DIN 7079

Advantages

- Security against total failure
- Gap can be checked
- Dead zone free, flush wall seal design
- Suitable for CIP and SIP cleaning

O-Ring

- AS 568 A / B.S. 1806
- Dimensions: see table

Nominal size						Connection holes				O-Ring
	D	d1	d3	d5	K	S1	S2			
40	150	30	64,5	18	110	4	16	24	58,74 x 3,53	
50	165	40	79,5	18	125	4	18	22	72,62 x 3,53	
80	200	50	99,5	18	160	8	20	20	91,67 x 3,53	
100	220	60	124,5	18	180	8	20	20	113,7 x 5,34	
125	250	70	149,5	18	210	8	22	18	139,07 x 5,34	
150	285	80	174,5	22	240	8	22	18	164,46 x 5,34	
200	340	100	224,5	22	295	8	24	18	208,91 x 5,34	