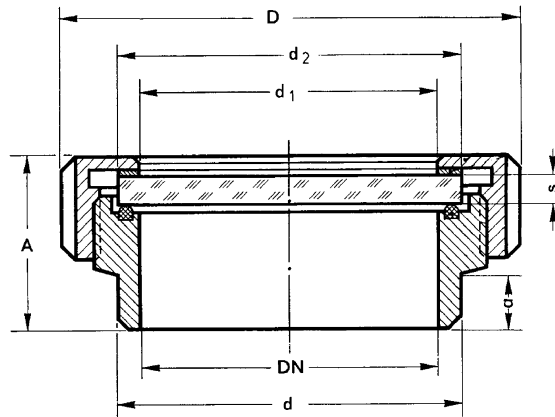
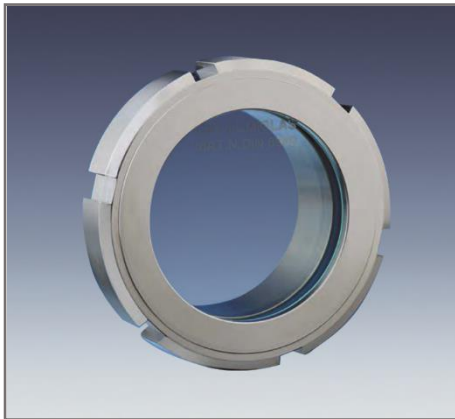


## Screwed Sight Glass Fitting MV11851

Similar to DIN 11851 (dairy standard fittings) with see-through circular glasses.  
Threaded nozzles have weld necks.



### Applications

Weld-on sight glass fitting with screwed cover flange. Sightport for viewing into Bioreactors, Laboratory mixers, filters as well as into process vessels, separators, pipelines and other usually closed containers. Particularly suitable for pharmaceuticals, food and beverage processing, e. g. breweries, dairies etc.

### Operating conditions

Pressure: 6 bar, higher pressures possible  
Temperature: up to 280°C, see table, depending on material

### Parts and materials

Slotted cover nut: stainless steel 1.4301, 1.4307  
Flat gasket: KLINGERSIL C-4400  
Sight glass disc: - Sodalime glass, material to DIN 8902  
- Borosilicate glass to DIN 7080  
O-ring seal: Viton, PTFE, Buna, Silicone, EPDM  
Weld neck nozzle: stainless steel 1.4301, 1.4307, 1.4404

### Combinations

This sight glass unit can be combined with several sight glass luminaires. Sight glass wiper type SW I can be fitted to sizes DN 50 and larger. Combination of luminaire plus wiper can be fitted to size DN 125.

Glass materials      Operating temperature

Sodalime	up to +150°C
Borosilicate	up to +280°C

Nominal size		d1	d2	s	D	d	A	a
Size	DN							
1	50	50	63	10	92	61	44	21
2	65	65	80	12	112	79	52	24
3	80	80	94	12	127	93	57	25
4	100	100	113	15	148	114	69	34
5	125	125	141	15	178	136	59	22
6	150	150	166	15	210	163	62	22