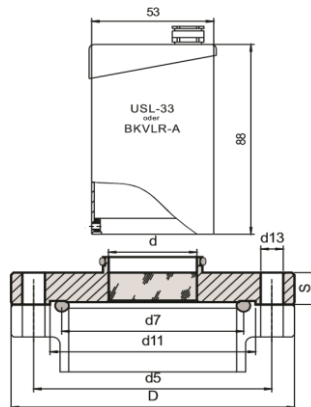


Type 84.BF.USL33

METAGLAS® Sight Glass for aseptic flanged pipe connection DIN 11864-2

For sight glass luminaire type USL33 or BKVLR-A

(flange with notch)



Applications

- Sterile fitting to DIN 11864 part 2 form A
- Aseptic groove flange model for installation on aseptic round flange form A

Advantages

- Sight glass and sealing profile correspond to EHEDG (European Hygienic Equipment Design Group) and ASME BPE (Bioprocessing Equipment)
- Security against total fail
- Long operating time
- Suitable for CIP and SIP cleaning
- Complies with GMP for clean condition, cleaning, sterilization

Ring materials Operating temperature

| | |
|--------|-----------------|
| 1.4462 | -30°C to +280°C |
| 2.4602 | -60°C to +300°C |
| 2.4610 | -60°C to +300°C |

Technical data

Manufactured and tested to:

- Directive for pressure equipment 2014/68/EU, Module H (DIN/EN/ISO 9001)
- AD 2000 Standards W0/TRD 100
- Sight glass fused to metal conforming to DIN 7079
- Materials to VdTÜV specifications and the DIN/EN designated standards
- Glass: Borosilicate to DIN7080 / DIN7079

Material certificates

- Certificate of conformity EN 10204-3.1 or 3.2

Sight glass light USL-33 or BKVLR A (non Ex)

- Supply voltage: 24 V AC or DC
- output: 20W (without built in push button)
- 50W (with built in push button)
- housing: stainless steel 1.4301 or similar
- operating time: more than 2.500 hours

| Nominal size DN | | | max. operating pressure | D | d | d7 | d5 | d11 | d13 | S | O-Ring |
|-----------------------|----------------------|---------------------------------|-------------------------|-----|----|-------|-----|------|---------|------|----------|
| Series A DIN 11850 | Series B ISO 1127 | Series C ISO 2037 BS 4825 | | | | | | | | | |
| 25 | — | — | 16 | 70 | 25 | 30,76 | 53 | 38,4 | 4 x Ø9 | 14 | 28 x 3,5 |
| — | 33,7 | — | 16 | 74 | 25 | 36,26 | 57 | 45,4 | 4 x Ø9 | 14 | 32 x 5 |
| 32 | — | — | 16 | 76 | 25 | 38,56 | 59 | 47,7 | 4 x Ø9 | 14 | 34 x 5 |
| — | — | 1 ½" | 16 | 79 | 30 | 41,36 | 62 | 50,5 | 4 x Ø9 | 14 | 37 x 5 |
| — | 42,4 | — | 16 | 82 | 30 | 44,56 | 65 | 53,7 | 4 x Ø9 | 14 | 40,5 x 5 |
| — | 48,3 | — | 16 | 88 | 35 | 50,86 | 71 | 60,0 | 4 x Ø9 | 14 | 46,5 x 5 |
| — | — | 2" | 16 | 92 | 35 | 54,36 | 75 | 63,5 | 4 x Ø9 | 14 | 50 x 5 |
| 50 | — | — | 16 | 94 | 35 | 56,56 | 77 | 65,7 | 4 x Ø9 | 16,3 | 52 x 5 |
| — | 60,3 | — | 16 | 103 | 35 | 62,86 | 85 | 72,0 | 4 x Ø9 | 16 | 58,5 x 5 |
| — | — | 2 ½" | 16 | 107 | 35 | 66,76 | 89 | 75,9 | 8 x Ø9 | 18 | 62 x 5 |
| 65 | — | — | 16 | 113 | 35 | 72,56 | 95 | 81,7 | 8 x Ø9 | 16 | 68 x 5 |
| — | 76,1 | — | 16 | 125 | 35 | 78,26 | 104 | 88,4 | 8 x Ø11 | 20 | 73,5 x 5 |
| — | — | 3" | 16 | 125 | 35 | 79,46 | 104 | 89,6 | 8 x Ø11 | 20 | 75 x 5 |
| 80 | — | — | 16 | 133 | 35 | 87,56 | 112 | 97,7 | 8 x Ø11 | 20 | 83 x 5 |