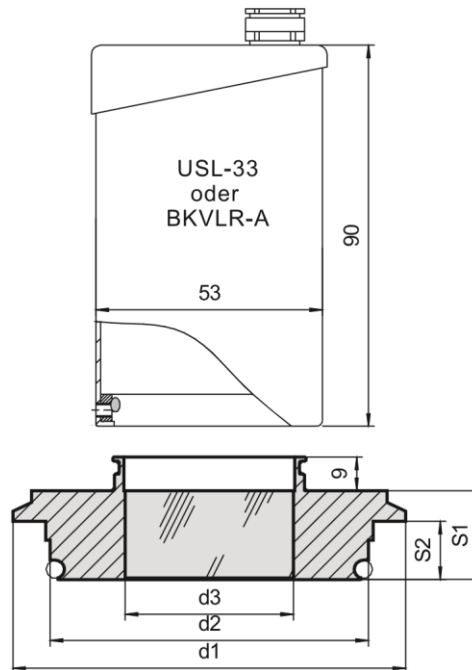


Type 99.TUC.USL33

METAGLAS® Sight Glass with Luminaire for VARIVENT®-In-Line Fittings



Applications

- VARIVENT® In-Line flanges
- VARIVENT® In-Line housings

Advantages

- Housing free of dead zones, no domes or pools
- Pre-determined distortion of O-Ring by metal contact faces
- Suitable for CIP and SIP treatment
- Security against total failure
- Long operating time
- Crevice free seal

Technical data

Manufactured and tested to:

- Directive for pressure equipment 2014/68/EU, Module H (DIN/EN/ISO 9001)
- AD2000 Standards W0/TRD 100
- Sight glass fused to metal conforming to DIN 7079
- Materials to VdTÜV specifications and the DIN/EN designated standards
- Glass: Borosilicate to DIN 7080 / DIN 7079

Light Type USL-33 (none Ex)

- Supply Voltage: 24V AC or DC
- Output: 5W (without built in push button)
20W (with built in push button)
- Housing: Stainless steel DIN 1.4301 or similar
- Power cable: 3m
- Bulb life: Over 2500 hours
- Dust and water-jet proof IP65 & EN60 529/DIN VDE 0470 part 1

Material certificates

- Certificate of Conformity
EN 10204 – 3.1 or 3.2 for extra costs

Operating conditions

- Pressure: 25 bar
- Temperature: see table

Ring materials	Operating temperature
1.4462	-30°C to +280°C
2.4602	-60°C to +300°C
2.4605	-60°C to +300°C
2.4610	-60°C to +300°C

Process connections	d1	d2	d3	S1	S2	O-Ring
N VARIVENT 32 ISO 6" IPS	84	67,95	35	17	12,3	60 x 3,0